

YB-500IN(LED)

Fail safe sturdiness electric bolt is for narrow door

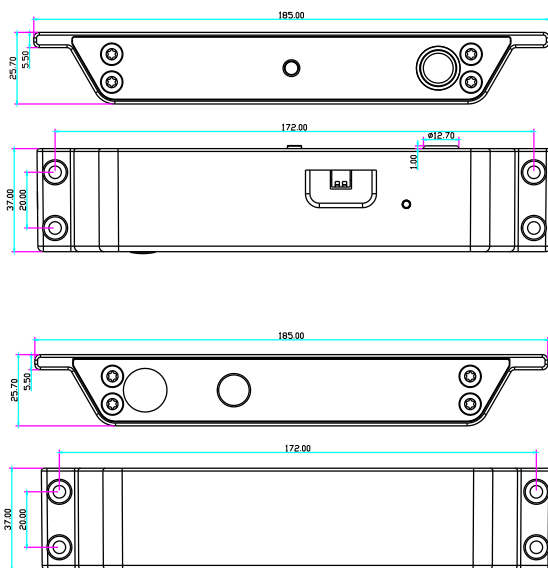


Product overview

YB-500I N(LED) is an all-metal construction electric bolt . suitable for narrow frame doors which is possess with Double protection for loading current. The bolt is made of 304 stainless steel solid bar with 1000kg holding force and anti-burglar design. It contains the design of magnetic valve, particular photoelectric control structure

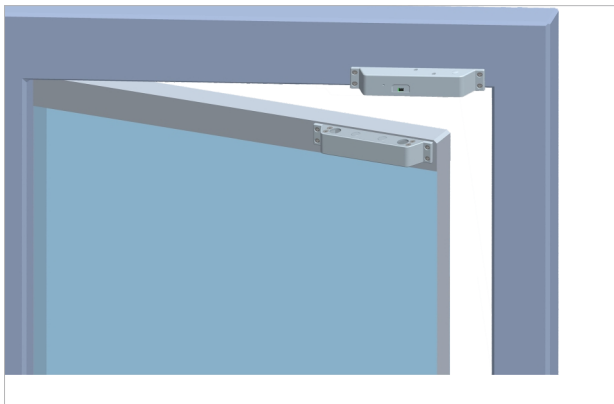
Dimensions

Unit: mm



Parameter/Model	YB-500IN(LED)
Parameter	Description
Feature	Fail Safe
Face Plate	185Lx25.7Wx37H(mm)
Bolt	16(length)*12.7(diameter)(mm)
Voltage	DC12V
Start Current	960mA
Standby Current	180mA
Solid Bolt	polishing housing, 1000Kg Holding Force
Suitable For	Electric Bolt For Narrow Door
Signal Output	Door status Output,NO/COM
Surface Temp	Low Temperature
Induction Distance	8mm
LED	Light on indicates locked, light off indicates unlocked
Special Designed	Tested to 500000 operations
Face place material	Stainless Steel
Weight	1.2kg

Installation diagram

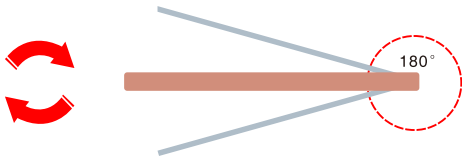


Shenzhen YLI Electric Lock Co.,Ltd.

Room 1605, Block A, Haisong Building, Tairan 9th Road, Futian District, Shenzhen, China
 TEL:86-755-83489801/02/03/04/05/06 FAX:86-755-83489807
 Website: www.yli.cn E-mail: yli@yli.cn

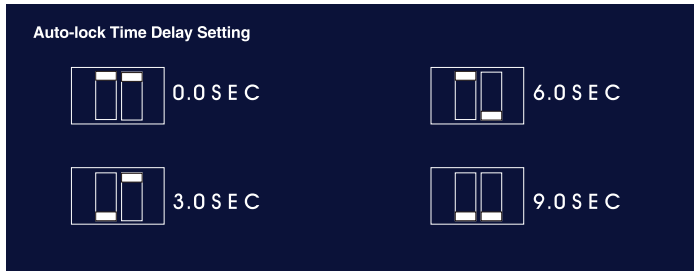
Suitable for double action doors

Electric bolts are specially designed for double action doors. They can also be installed on both inswing doors and outswing doors.



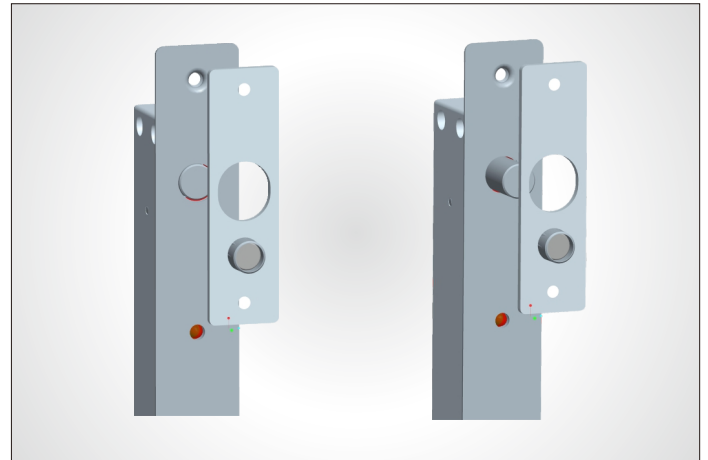
Auto-lock time delay function

This can be set up from 0 to 9 seconds by adjusting the jumpers.



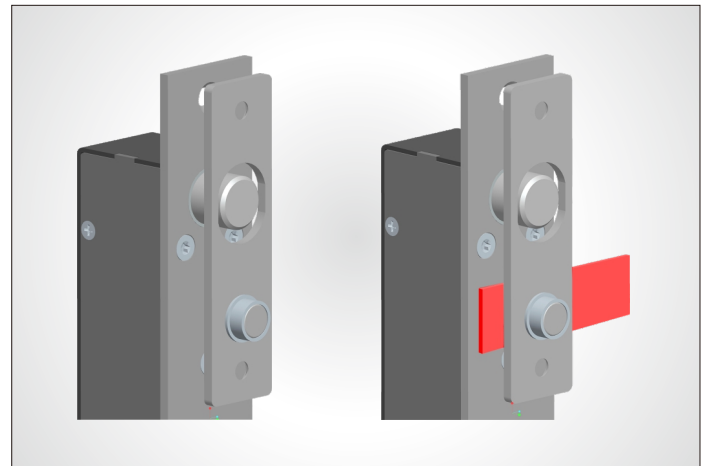
Auto-detective circuitry

This special auto-detective circuit of electric bolt keeps the bolt retracted while the door is unlocked or improperly aligned until the door is properly closed.



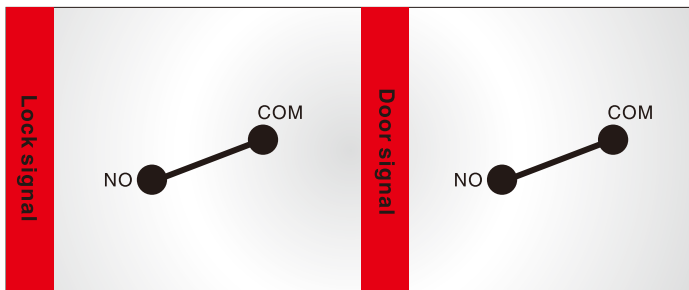
Vandal resistant circuitry

The reed sensor will automatically disconnect when the door is actually closed in order to enhance the security of the lock.



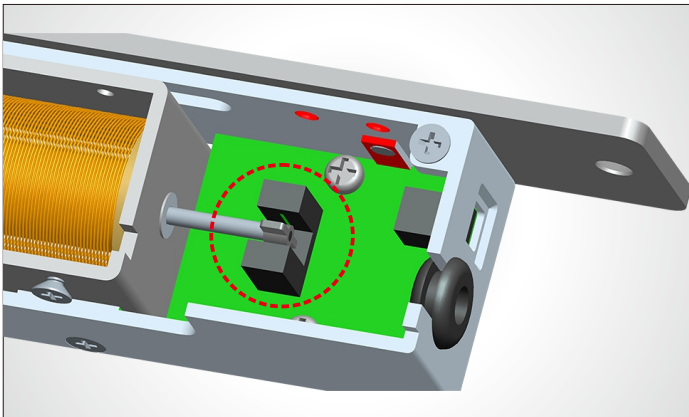
Optional door or lock sensor output

Standard option is a set of NO/COM lock signal output contact.



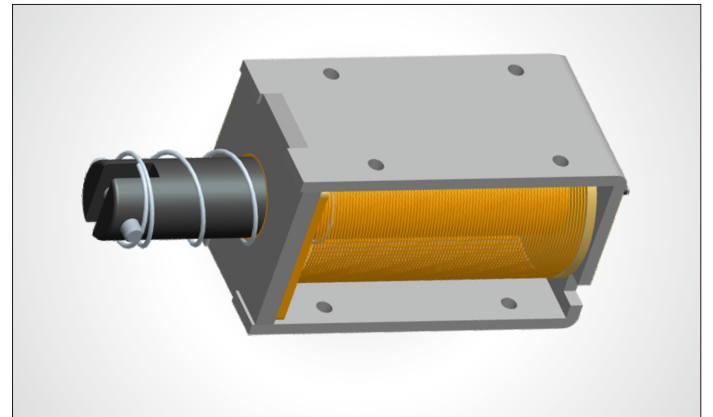
Photoelectric sensor control

Instead of using electric components, we use photoelectric components to make the bolt more stable and durable. at the same time, it can increase the lifetime of the electric bolt.



Ultra durable solenoid valve

Tested for over 500,000 times, the specially designed solenoid valve can be used for 5 to 10 years.



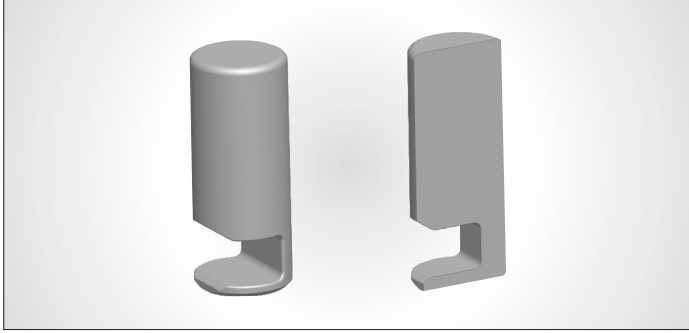
Shenzhen YLI Electric Lock Co.,Ltd.

Room 1605, Block A, Haisong Building, Tairan 9th Road, Futian District, Shenzhen China
TEL:86-755-83489801/02/03/04/05/06 FAX:86-755-83489807
Website: www.yli.cn E-mail: yli@yli.cn



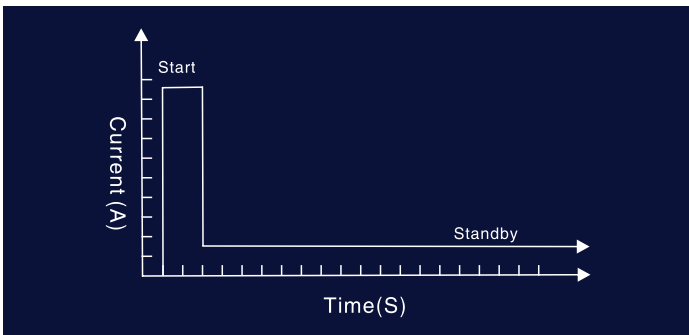
304 stainless steel solid bolt

With 304 stainless steel solid bolt, the electric bolt has 2000kg holding force. It is stronger and more durable under the harsh environment.



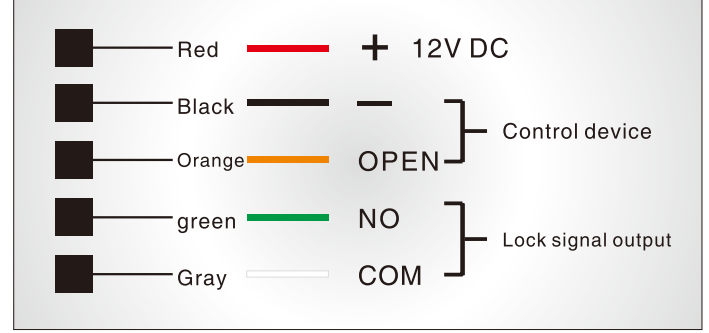
Energy saving design

When the bolt is extended to keep the door locked, it draws only 0.18A in a holding mode down from 0.96A while the bolt is retracted. This design extends the life of the electric bolt.



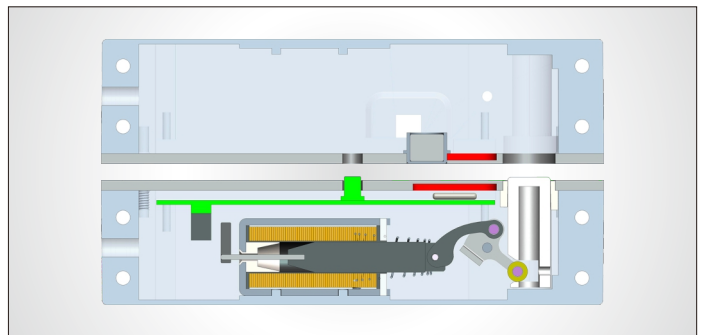
Connecting instructions

With the special auto-detective circuit, we advise you to connect our own open wires to open the door instead of shutting off the power directly.



All-metal lock body

The all-metal lock body and components make the lock stronger and more durable, which ensure the lock can work under the harsh environment. (Can order the lock work at the temperature of 60 °C or 40 °C below zero.)



Shenzhen YLI Electric Lock Co.,Ltd.

Room 1605, Block A, Haisong Building, Tairan 9th Road, Futian District, Shenzhen China
TEL:86-755-83489801/02/03/04/05/06 FAX:86-755-83489807
Website: www.yli.cn E-mail: yli@yli.cn

